

W White-Westinghouse

INTERNATIONAL

Factory Parts Catalog

Product No.	WDE775NZHS0
Series	W.WESTINGHOUSE
Market	Export
Color	white
Volts	220/240 50hz
Wiring Diagram	137211700
Owner's Guide	137212000

INTERNATIONAL
3 Parkway Center, Pittsburgh, PA 15220

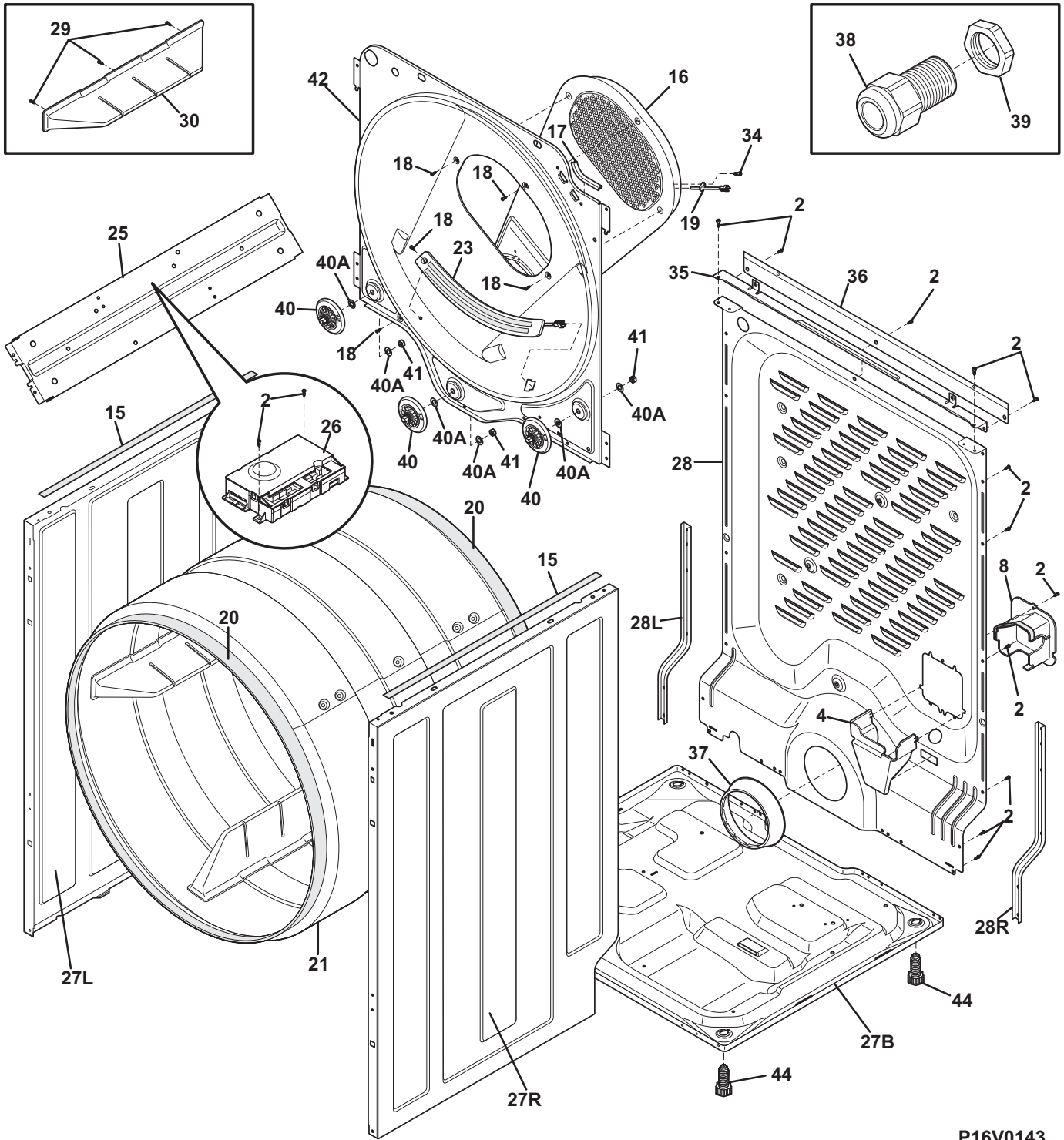
Publication No.
5995554093
09/10/20
(EN/SERVICE/WTC)
154

ELECTRIC DRYER

Model No.
WDE775NZH

Copyright © 2009 Electrolux Home Products, Inc.
All rights reserved.

CABINET/DRUM

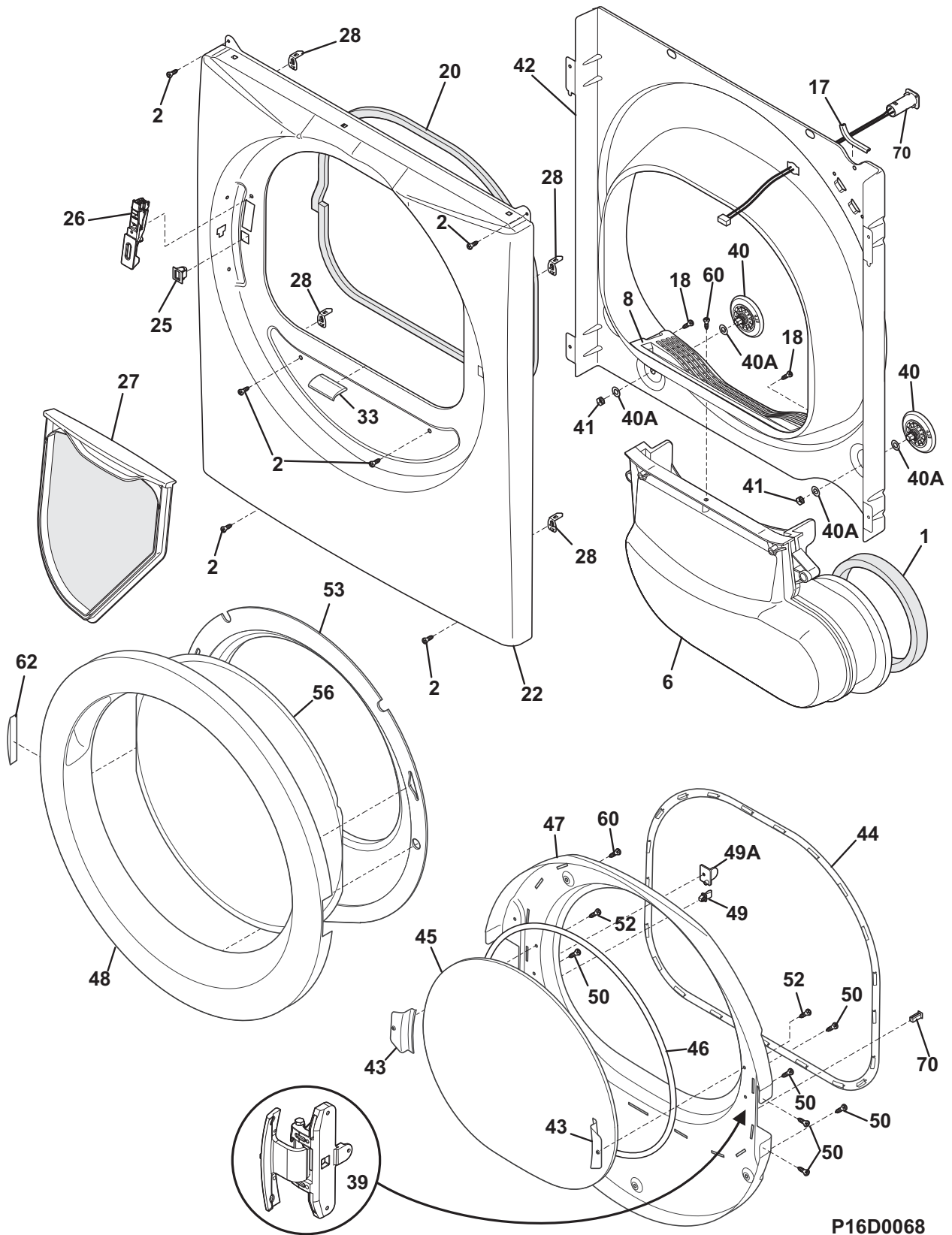


P16V0143

CABINET/DRUM

POS. NO	PART NO.	DESCRIPTION
2	131168200	Screw, pan head, 8-18B x 0.31
4	134792200	Bracket, mounting, terminal block
8	137150100	Cover, terminal block, without gasket
8*	137212300	Gasket, terminal cover
15	137031800	Cushion, vibration, top panel
16	134694020	Duct, heat, rear
17	134792900	Protector, edge, right top front, 85.0+/-1.5
18	131477000	Screw, 10-16AB x 0.375
19	134711200	Thermistor, inlet
20	134705900	Seal, felt, drum
20*	5308027429	Adhesive, high temp
21	134711910	Drum, dryer, assembly 36"
23 #	134786100	Sensor-moisture, assembly
23*	134930800	Harness, moisture sensor
25	134912100	Bracket, mounting, main control bx
26 #	137201400	Control Board, main, with housing
27B	134690200	Base, dryer
27L	134690310	Panel, left side, white
27R	134690410	Panel, right side, white
28	134713200	Panel, backsheet, rear
28L	137029900	Bracket, reinforcement, left, backsheet
28R	137066800	Bracket, reinforcement, right, backsheet
29	131205100	Screw, #8 pan head, 10-10B x 0.500, cr/sq drive
30	137116810	Vane, straight, gray
34	131243700	Screw, pan head, 8-18AB x 0.375
35	134706200	Bracket, top panel mtg., rear
36	137151600	• Seal, rain, upper back
36	137212600	Seal, and gasket asmy
37	134828300	Cover, exhaust tube
38	137201600	Strain Releif, 38
39	137201700	Nut, strain releif
40	134715900	Roller, wheel, complete asmy
40*	134716200	Retainer, roller wheel, assembly
40A	134716700	Washer, flat
41	134716800	Nut, 3/8-16
42	134712810	Bulkhead, partition, rear
44	137029700	Leveling Leg, screw
*	134792910	Protector, edge, 42.5+/-3.0
*	137213200	Plug, hole 1 inch

FRONT PANEL/LINT FILTER

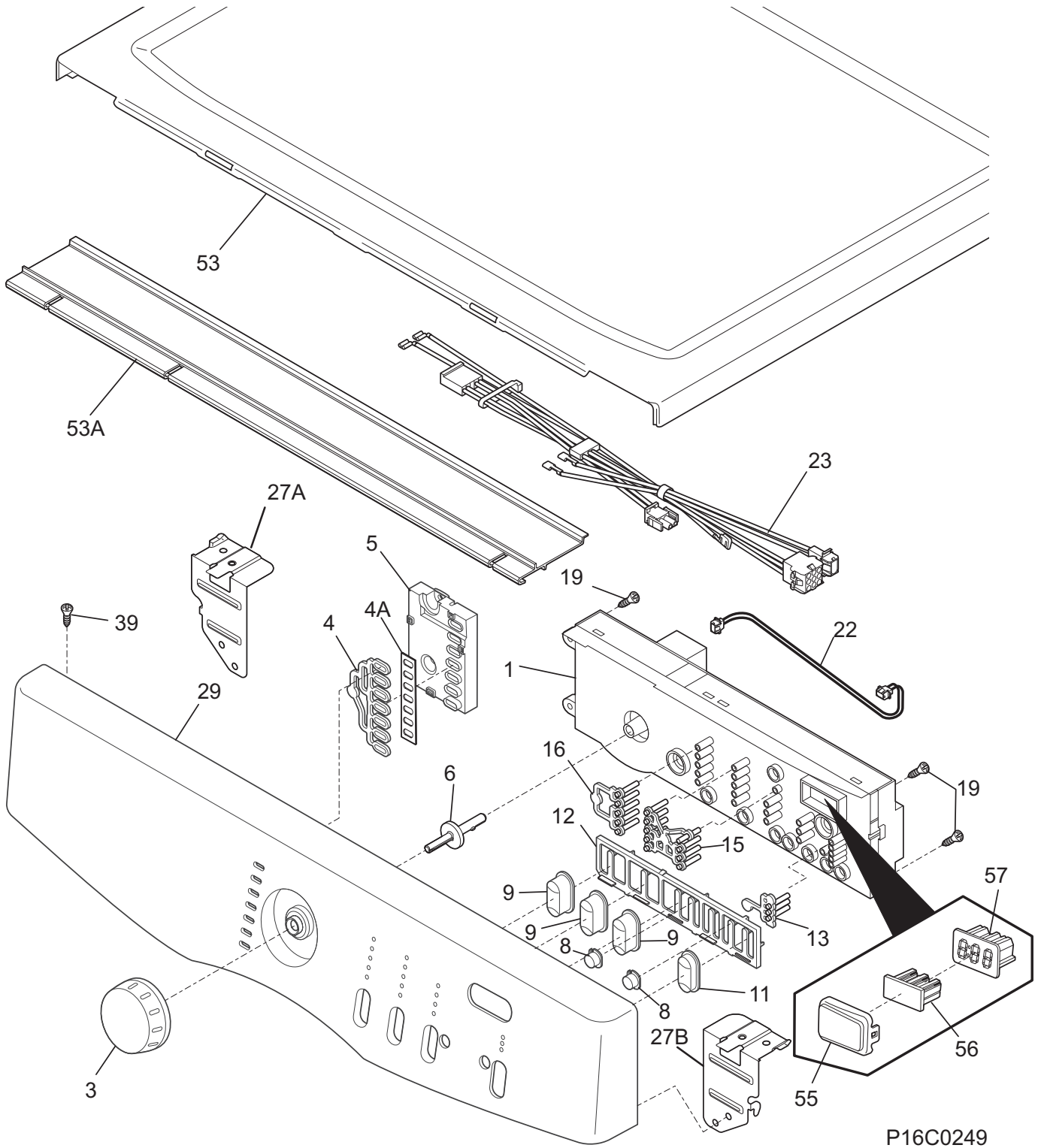


P16D0068

FRONT PANEL/LINT FILTER

POS. NO	PART NO.	DESCRIPTION
1	137068200	Seal, air duct
2	131168200	Screw, pan head, 8-18B x 0.31
6	134710705	Duct, air, gray
8	134701320	Cover, lint housing
17	134792900	Protector, edge, right top front, 85.0+/-1.5
18	131477000	Screw, 10-16AB x 0.375
20	137116600	Gasket, front panel
20*	5308027429	• Adhesive, high temp
22	134696680	Panel, front, white
25	131658800	Door Catch, upper
26 #	5304475549	Switch, door
27	134701420	Filter, lint, complete
28	137034500	Clip, mounting, cabinet front
33	137067110	Ramp, gray, door
39	134680900	Hinge, door
40	134715900	Roller, wheel, complete asmy
40*	134716200	Retainer, roller wheel, assembly
40A	134716700	Washer, flat
41	134716800	Nut, 3/8-16
42	134696106	Bulkhead, panel, front
43	134559300	Bracket, door glass
44	134720900	Gasket, door seal
45	134611800	Glass, inner door
46	134580300	Gasket, door glass, inner
47	134683942	Panel, inner door, gray
48	134558410	Panel, outer door, platinum
48*	134554500	Pad, outer door
49	5303211430	Door Strike
49A	137138602	Door Strike
50	131303300	Screw, pan head, 10-16AB x 0.500, locking
52	134529600	Screw, indt pan head, 8-18AB x 0.375
53	134558600	Ring, door transition
56	134550600	Glass, outer door lens
60	134430300	Screw, indt pan head, 10-14 x 0.625, quadrex
62	134680710	Plug, hinge cutout, platinum
70	134695000	Lamp, drum, complete

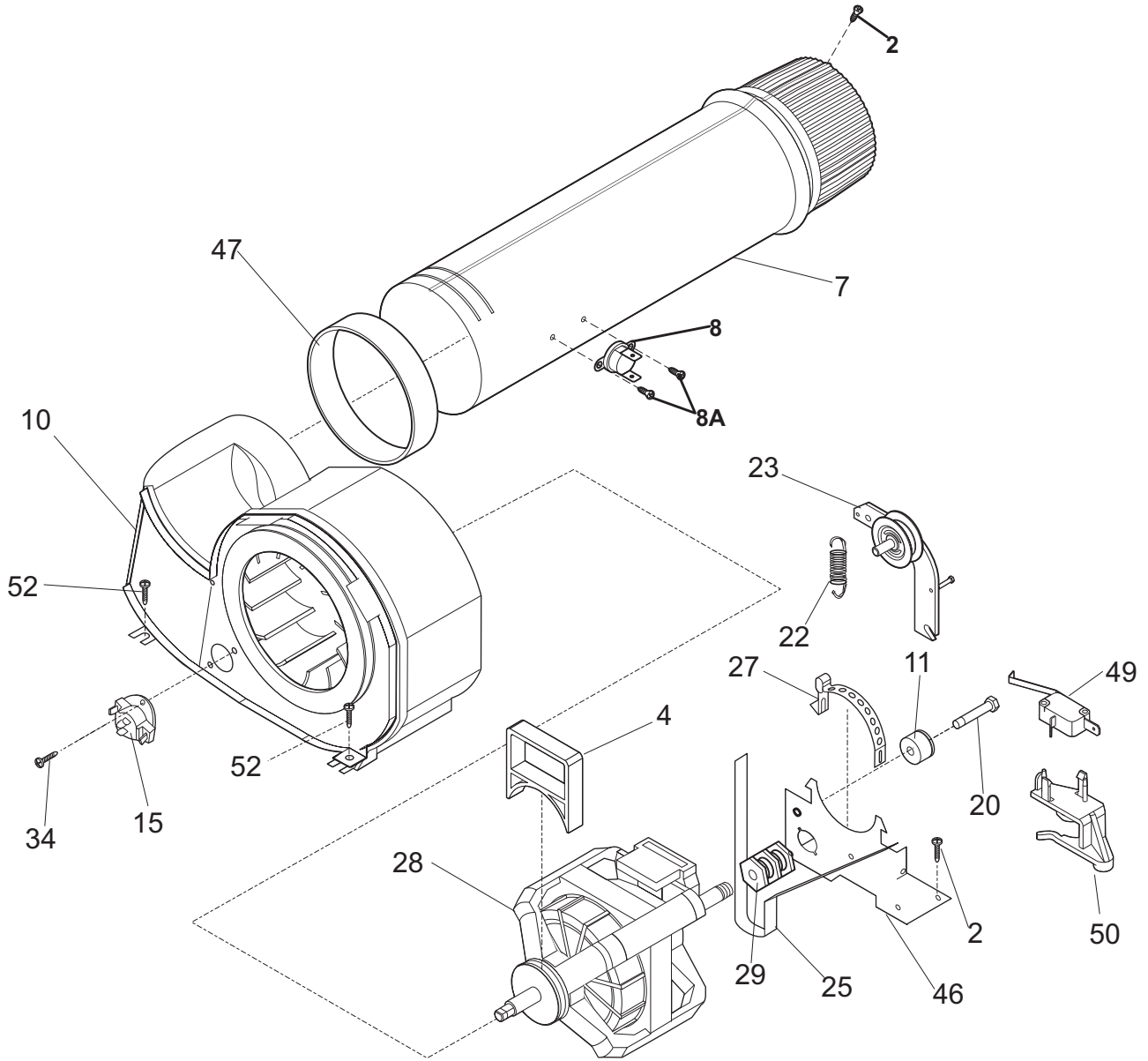
CONTROLS/TOP PANEL



CONTROLS/TOP PANEL

POS. NO	PART NO.	DESCRIPTION
1 #	137207000	Control Board, printed circuit, with housing
3	134551210	Knob, program
4	134553100	Light Pipe, program
4A	134823400	Gasket, light pipe, program
5 #	134825400	Interface Board, pc, auxiliary
6	134347700	Pin, program knob
8	134555510	Push Button, round, #1
9	134553410	Push Button, oval, #1
11	134595610	Push Button, oval, start
12	134553300	Spring, push button
13	134557501	Light Pipe, start group
15	134552800	Light Pipe, 5 x 4
16	134600000	Light Pipe, row of 5
19	134402900	Screw, Phillips, 6-19 x 0.650
22 #	134602100	Wiring Harness, interface board
23 #	134828000	Harness, main, main fld elect
23*	134828100	Filter, ANTI, INTERFERENCE
23*	137043700	SCREW (10-32), for term block
23*#	137213100	Terminal, block, main
27A	134710900	Bracket, control panel, left hand, mounting
27B	134711000	Bracket, control panel, right hand, mounting
29	137209110	Panel, control console
39	131205100	Screw, #8 pan head, 10-10B x 0.500, cr/sq drive
53	134365000	Panel, work top, white
53*	134926600	Damper, sound
53A	137193700	Drip Rail, console
55	134553200	Lens, digital display
56	134557300	Light Pipe, digital display
57 #	134503300	Display, digital

MOTOR

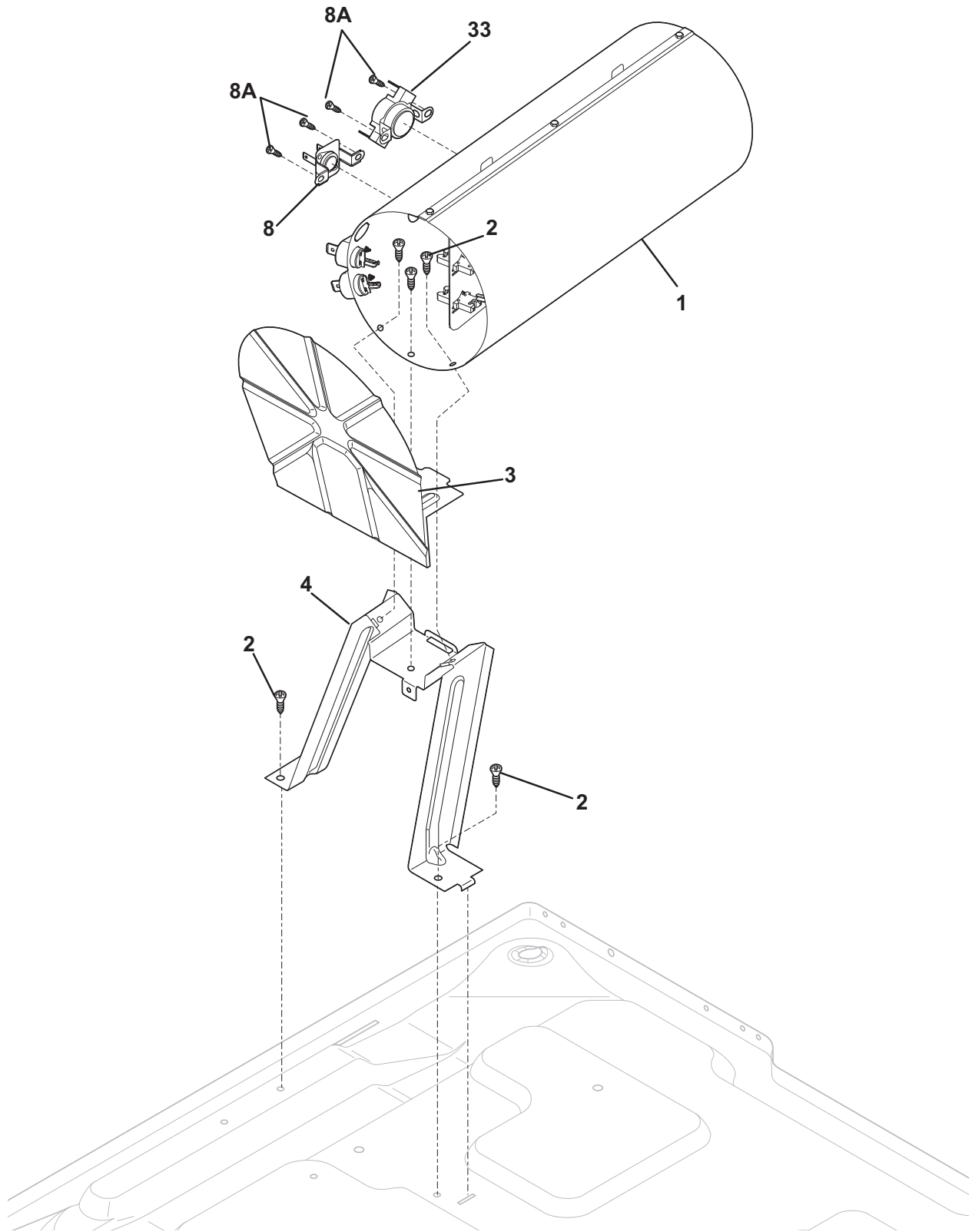


P16M0036

MOTOR

POS. NO	PART NO.	DESCRIPTION
2	131168200	Screw, pan head, 8-18B x 0.31
4	131435200	Lock, blower housing
7	134693900	Tube, exhaust, rear
8 #	134711400	LIMITER, thermal, exhaust, flush mount
8A	134935200	Screw, #8-32 X .25, W/#6 QUADREXPAN
10 #	131775600	Blower Assy, housing, w/cover & wheel
11	131749800	Spacer, idler
15 #	134587700	Thermistor, control
20	131017900	Screw, hex head, 1/4-20T x 1.25, spacer mtg., thread cutting
22	131601000	Spring, idler arm
23 #	134793510	Idler Arm Assy, with pulley
25 #	134719300	Belt, "H", poly V, 5 rib
27	134242400	Clamp, motor mtg.
28 #	137061300	Motor, 220-240 50/60hz, with out pulley
29 #	134828600	Pulley, motor, back shaft, 50/60 Hz cvrsn
34	131243700	Screw, pan head, 8-18AB x 0.375
46	134693500	Bracket, motor mounting
47	131633300	Seal, exhaust tube
49 #	137211400	Switch, belt
50	131742700	Bracket, belt switch mtg
52	131202300	Screw, 10-16AB x 0.625

BURNER

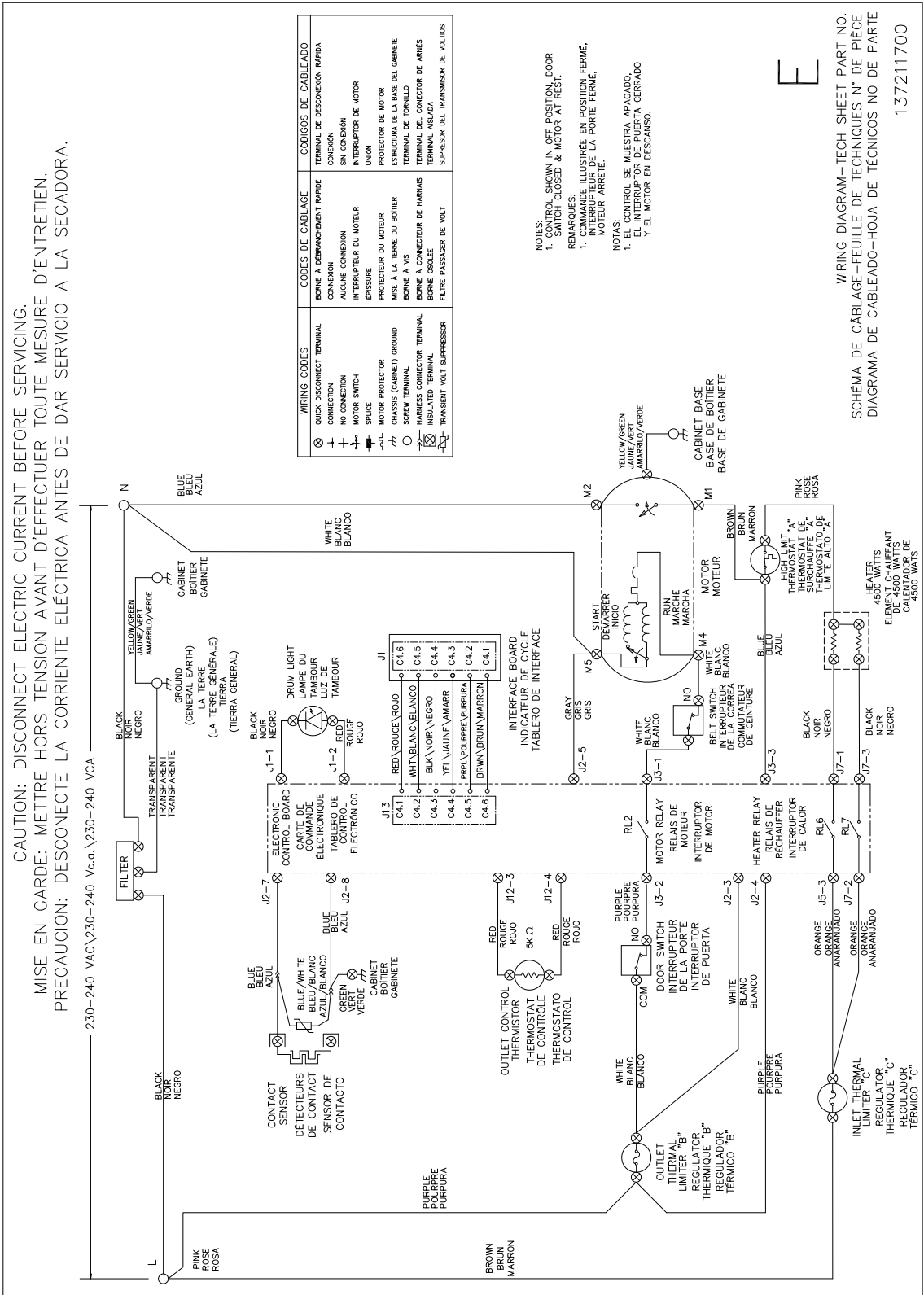


P16B0020

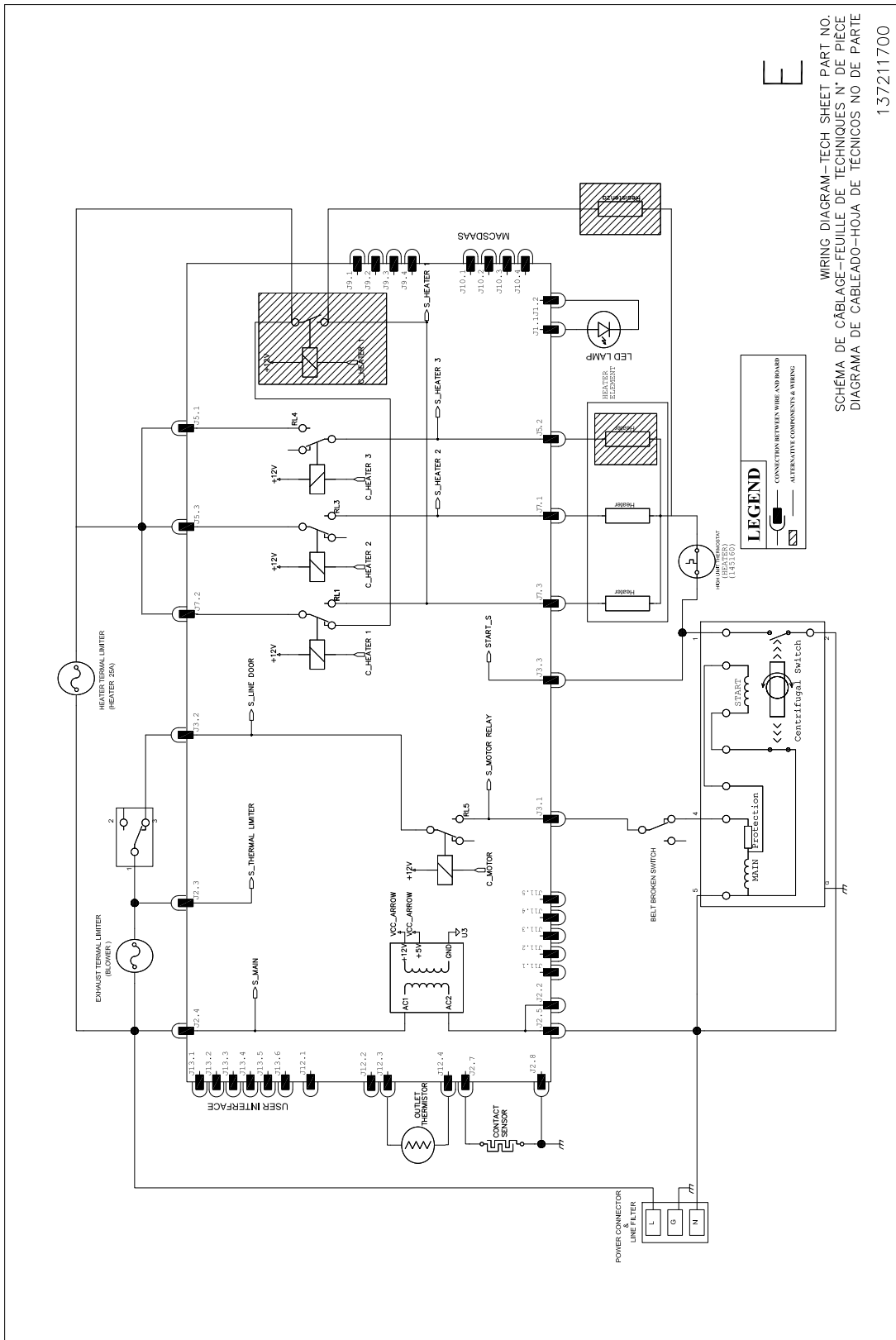
BURNER

POS. NO	PART NO.	DESCRIPTION
1 #	137212900	Heater, 2 element
2	131168200	Screw, pan head, 8-18B x 0.31
3	134692700	Shield, radiant, electric
4	134785000	Bracket, heater/burner, mounting
8	137211800	LIMITER, thermal, heater
8A	134935200	Screw, #8-32 X .25, W/#6 QUADREXPAN
33 #	3204267	Thermostat, safety

WIRING DIAGRAM



WIRING DIAGRAM



WIRING DIAGRAM—TECH SHEET PART NO.
 SCHEMA DE CÂBLAGE—FEUILLE DE TECHNIQUES N° DE PIÈCE
 DIAGRAMA DE CABLEADO—HOJA DE TÉCNICOS NO DE PARTE

137211700